



MARKET LEADERS IN HOTEL AND RESTAURANT FURNITURE

BEDROOM FURNITURE



Welham House, Travellers Lane, Welham Green, Hertfordshire, AL9 7HF
t 01707 272737 f 01707 260124 e sales@masfurniture.co.uk

www.masfurniture.co.uk

Bedroom Furniture

MAS is delighted to show its collection of beautiful bedroom furniture, designed and manufactured to the highest of standards. Whether you are looking for a contemporary look, or something more traditional, MAS has the solution and offers a wide selection of styles to complement your surroundings, as well as bespoke furniture, made to your exact specifications.

Real wood veneers have been used throughout all the ranges of bedroom furniture and hand selected for their unique appearance, with hardwood for all exposed edges. All items are finished with a highly durable AC lacquer finish and fitted with high quality solid hardware. The comb jointed plywood drawers are fitted with heavy duty metal runners.

An established contract furnishing company within the Hospitality, Healthcare and Leisure sectors, MAS offers

a total service to its clients. Fifty years of experience worldwide has earned MAS a highly respected reputation as a leading force within the industry. Clients include hotels, restaurants, pubs, bars, nightclubs, cruise ships, golf clubs, hospitals and nursing homes.

The MAS service includes manufacture of custom-made furniture, co-ordinating complete furnishing schemes and providing full on-site installation and fitting. As well as bedroom furniture, the MAS product portfolio extends to include upholstery, tables, chairs, bar stools and banquette seating. Projects of all sizes are handled with the same care and meticulous attention to detail. A complete turnkey service is available upon request – for further information, please contact MAS Furniture Contracts on 01707 272737.

MAS... PROVIDING FURNISHING SOLUTIONS FOR CONTRACT INTERIORS

CONTENTS

The Welham Range	4
The Imperial Range	8
The Mayfair Range	12
Bespoke furniture	15
The total MAS service	18
Seating & Upholstery	19
Technical specifications	20

The Welham Range

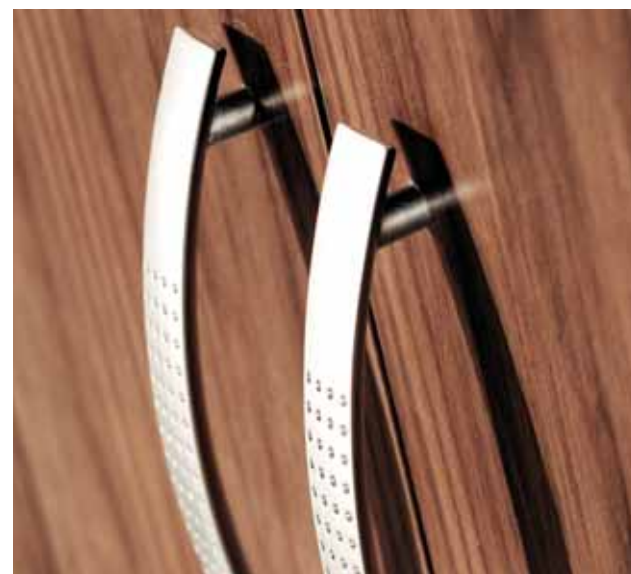


WELHAM is the latest range added to the MAS portfolio of bedroom furniture. Shown here in a sophisticated walnut veneer, this stylish range offers a totally contemporary look to your guest bed rooms and suites.

The WELHAM range features a distinctive grooved pattern on the headboards. This design can be repeated on the door fronts of the wardrobes, as an alternative option to a plain door, creating a linear feel. The use of panels provides a smooth uniformity and cohesion to the lines of the cabinetry.

This stunning combination of design techniques include deeply recessed plinths finished in brushed steel throughout the range. A distinctive cube design for both a coffee table and a lamp table enhances the minimalist look to the range and creates a very modern theme. Open fronted bedside cabinets are available and can also be ordered as a closed version, with doors. A circular breakfast table on a brushed steel base completes the WELHAM range.

The rich, dark tones of walnut contrast with the beaten silver handles, creating a strong contemporary look. The clean lines of this new collection work well within a wide range of interiors, for today's lifestyle. The WELHAM is also available in oak and maple veneers.



The Welham Range



WEL05A



WEL05



WEL01



WEL02



WEL11



WEL13



WEL03



WEL07



WEL10



WEL04



WEL15



WEL08

The Imperial Range

The traditionally classic lines of the IMPERIAL range make it a perfect choice for your hotel guest rooms. Headboards can be veneered or upholstered to suit your choice of décor, whilst two different styles of bedroom tables give you further design flexibility. Available in oak, mahogany and cherry veneers, the IMPERIAL range of freestanding furniture is ideal for heavy contract use and offers excellent value for money.

The classical style of the IMPERIAL is characterised by its simplicity of form, combining traditional veneers with a decorative hardwood trim. The warm and subtle grain of the veneers is set off by high quality polished brass handles.



The Imperial Range



IBR02



IBR03



IBR11



IBR13



IBR05



IBR07



IBR12



IBR14



IBR08



IBR10



IBR15



IBR05

Mayfair Range



The MAYFAIR range is the epitome of luxury, creating an atmosphere of the utmost comfort for your guests. Designed to complement the most luxurious surroundings, the elegance of MAYFAIR is self evident in the richness of the mahogany veneers used throughout the product range.

Decorative inlays and cross-banding are worked into the veneers' design producing an exquisite range of furniture, in total accord with the MAS policy for the very best in craftsmanship and quality.

The MAYFAIR range of furniture includes credenzas, free standing wardrobes, dressing tables, bedside tables and breakfast tables. Curled mahogany centre with rich mahogany contrasting cross banding is shown to perfection in every piece within the MAYFAIR range. This attention to design detail is characteristic of this prestigious range of furniture.



The Mayfair Range



MAY17



MAY11



MAY18



MAY15



MAY02



The Mayfair range at the Westbury Hotel in London's Mayfair

Bespoke Furniture

MAS is a name synonymous with bespoke, handcrafted and beautifully designed furniture, allowing you a host of different options and designs.

The company has a vast wealth of experience in handling projects for "custom made" case goods to clients' own specifications - and prides itself in providing furnishing solutions for contract interiors. This includes manufacture of bespoke furniture, co-ordinating complete furnishing schemes and providing full on-site installation and fitting. Whether for 2 star budget hotels or 5 star luxury accommodation, hospitals and nursing homes, or cruise ships and golf club resorts, MAS has the capability to ensure that your design criteria is faithfully executed on time and within budget.

MAS works with a variety of finishes including wood veneers, melamine, laminates and also special painted finishes, giving total flexibility to our customers.



Bespoke furniture



The total MAS service



The total MAS service extends to include the following services:

Carpets

- MAS is able to custom design or supply off the peg ranges.

Soft Furnishings

- An extensive soft furnishing manufacturing facility is available, including curtains, bedspreads and valances.

Turn-key Service

- MAS can provide a complete 'turn-key' furnishing service.

The MAS product portfolio*

The MAS product portfolio extends to include the following:

Bedding

- MAS can supply beds for contract use to your specifications.

Headboards

- Padded headboards can be upholstered in a choice of fabrics to suit your design scheme.

Luggage Racks

- Folding luggage racks are available to order.

Seating

- Traditional seating
- Contemporary seating
- Metal framed chairs
- Timber framed chairs
- Upright chairs
- Upholstery
- Armchairs
- Sofas & settees
- Tub chairs
- Stools & bar stools
- Banquette seating

Tables

- Restaurant tables
- Breakfast tables
- Coffee tables
- Side tables
- Custom table tops
- Table bases

MAS offer a full estimating, design & installation service for banquette seating with the ability to manufacture to your exact size requirements.

* All products are shown in the other MAS catalogues, available upon request.

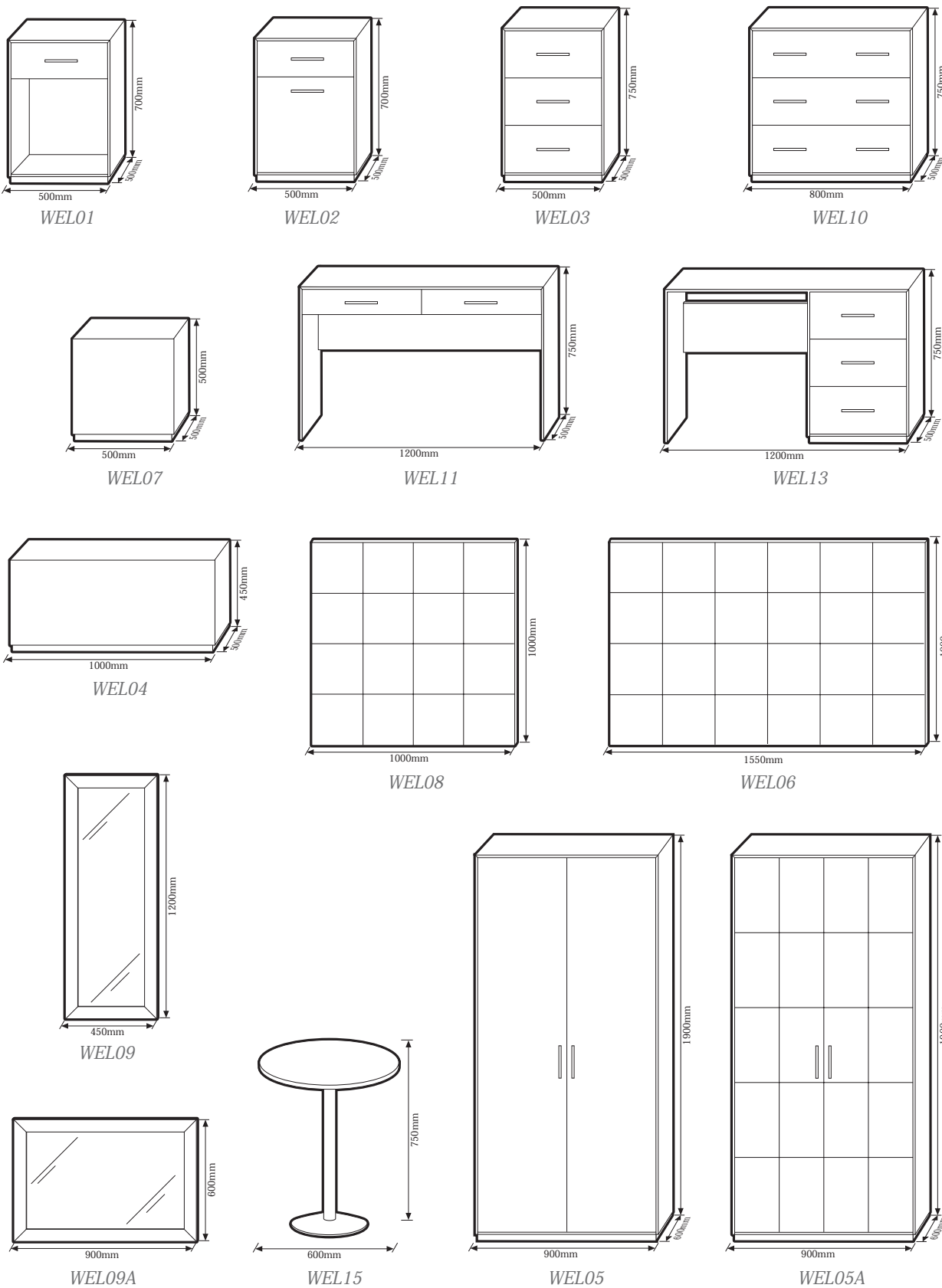
Seating & Upholstery



The MAS product portfolio* includes a wide range of seating suitable for all interiors. Shown here is just a small selection of the choice available.

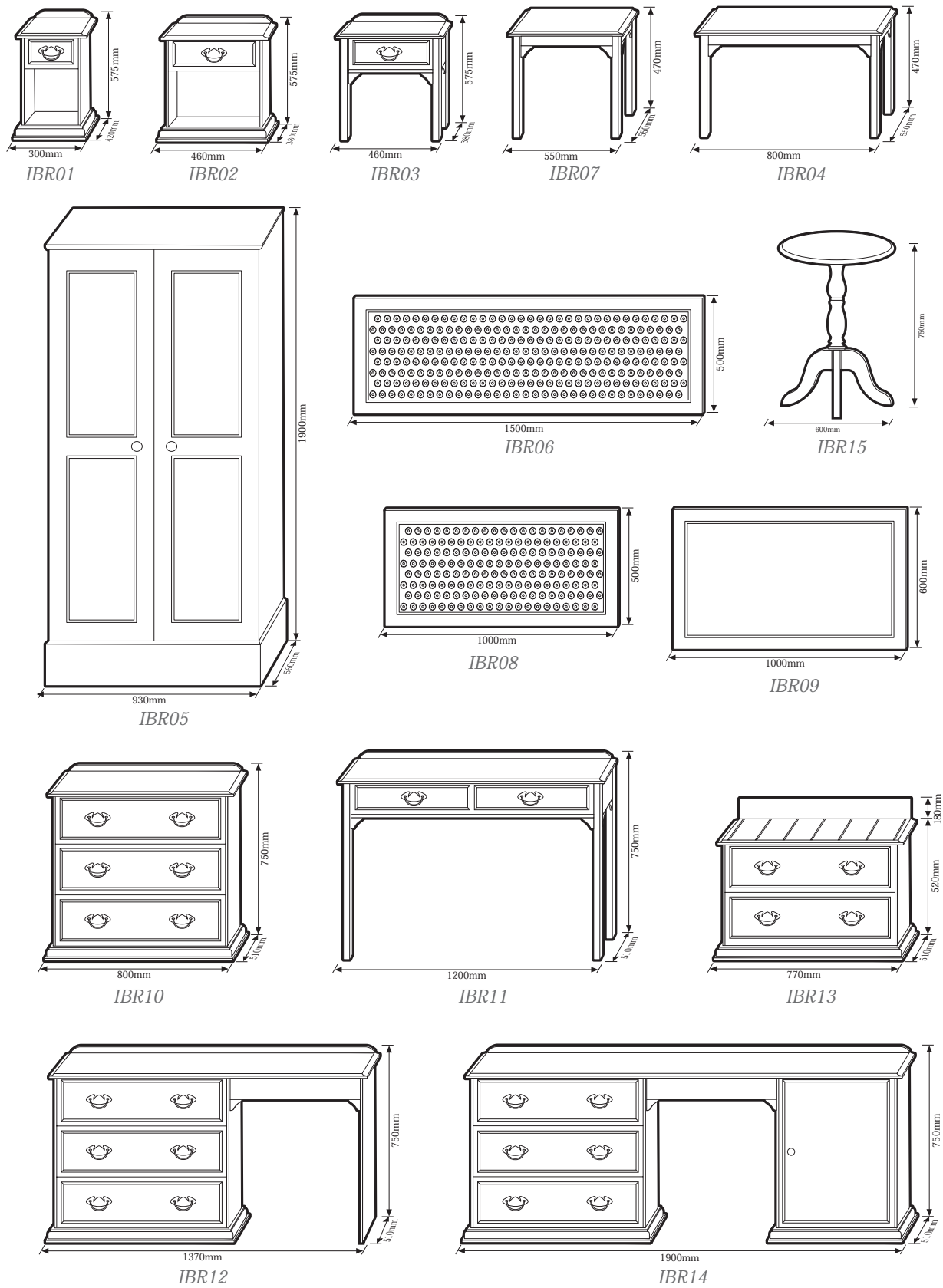
All chair frames can be polished to complement your colour scheme and upholstered in an endless selection of fabrics. Re-upholstering existing chairs is an additional service available.

Welham collection



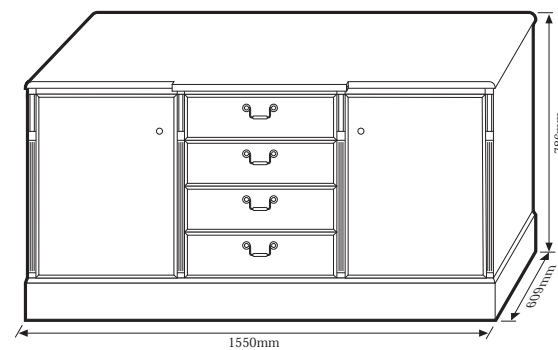
Please specify M for Maple/O for Oak/W for Walnut. All sizes shown are approximate and are intended purely as a guide.

Imperial collection

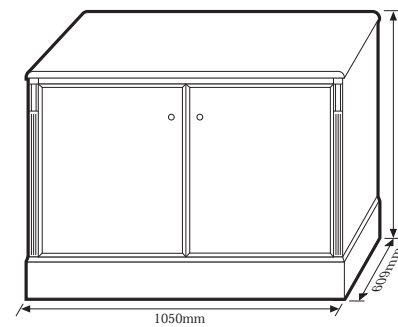


Please specify M for Mahogany/O for Oak/C for Cherry. All sizes shown are approximate and are intended purely as a guide.

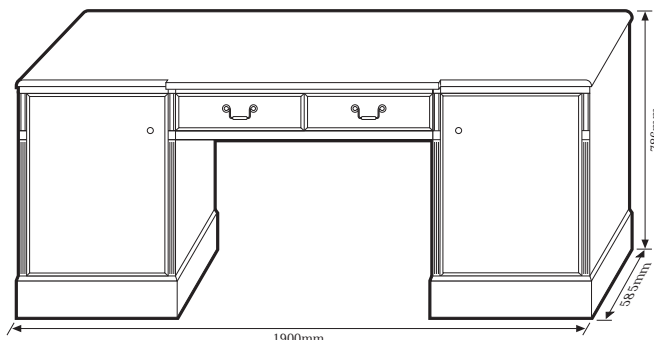
Mayfair collection



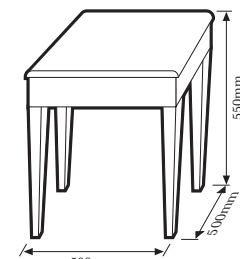
MAY17



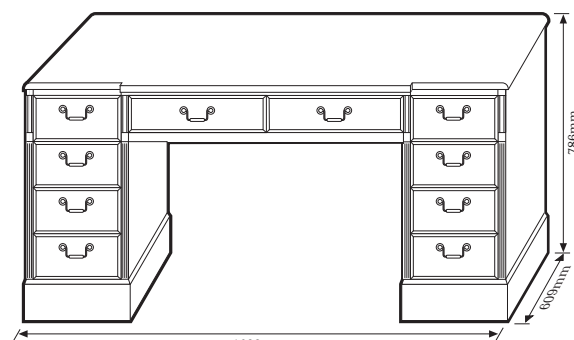
MAY18



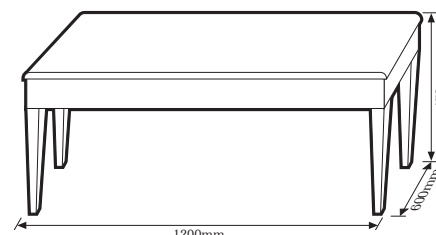
MAY16



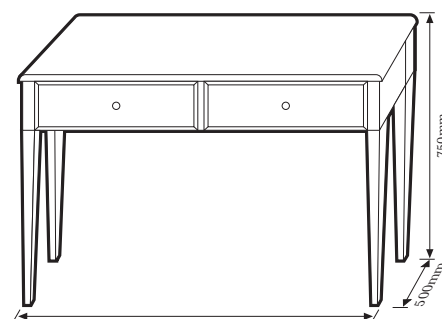
MAY01



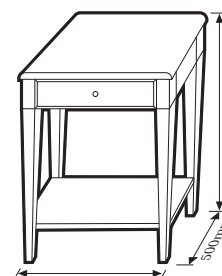
MAY14



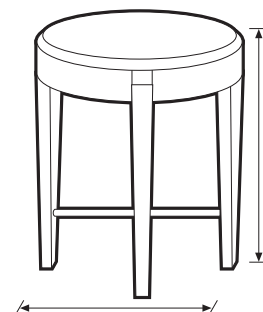
MAY04



MAY11



MAY02



MAY15

All sizes shown are approximate and are intended purely as a guide.

Our company policy is one of continuous improvement and as such we reserve the right to make minor modifications in detail to any of the items contained within this brochure without prior notice.

Colour reproduction of products and materials are for representative purposes only.

All orders are accepted subject to our standard conditions of trading.

This catalogue and its contents are the copyright of MAS.

E. & O.E.